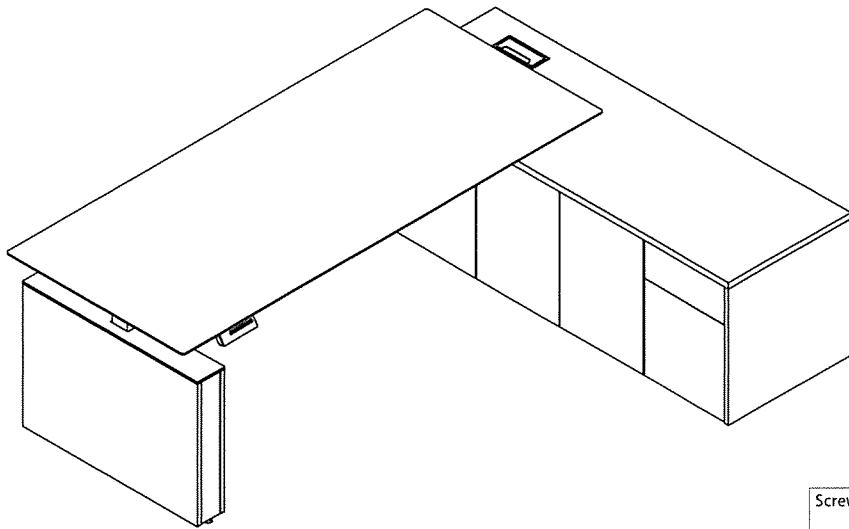
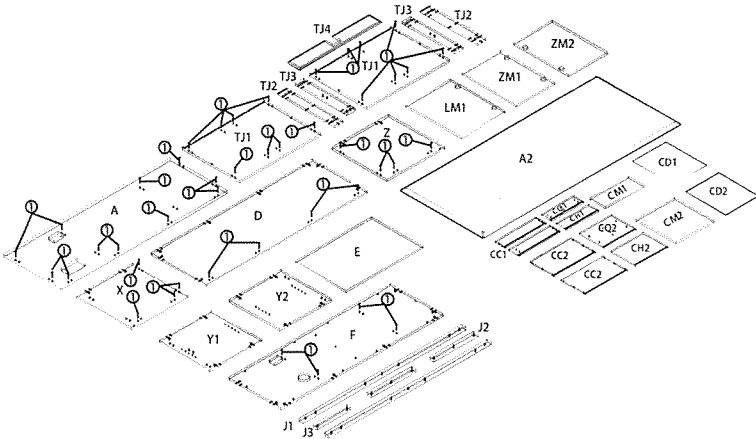


# ASSEMBLY INSTRUCTIONS

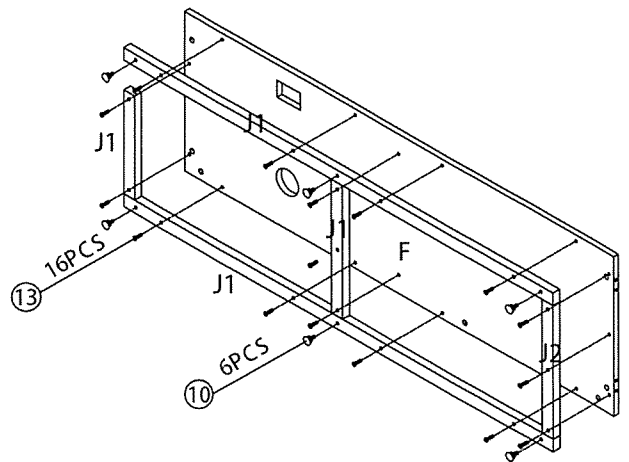


Pin 6x35 1 50PCS	Cam 2 50PCS	Cam cover 17Hx35 3 50PCS
Shelf support 4 4PCS	Hinge&Mount Long Neck Plate 5 2PCS	Hinge&Mount Plate 6 4PCS
Screw 4x16 7 12PCS	Magnet Buckle 8 5PCS	Line Cover 80x160 9 1PCS
Adjustable Glide 25x13 10 6PCS	Screw 3.5x13 11 40PCS	Line Cover 80 12 1PCS
Screw 6x30 13 16PCS	Screw 3x35 14 20PCS	Screw 8x25 15 4PCS
	Button 16 12PCS	

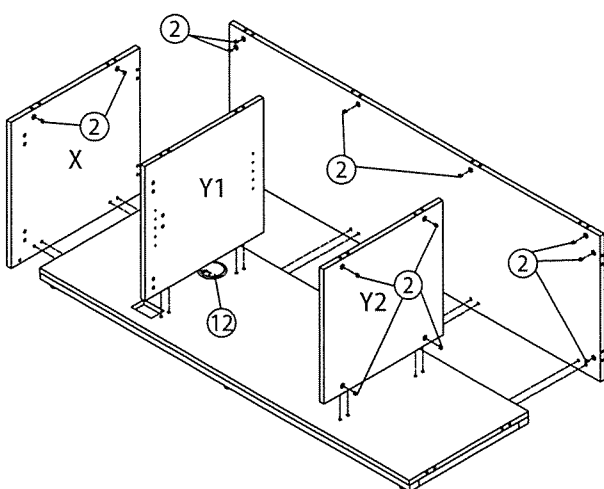
## Step1



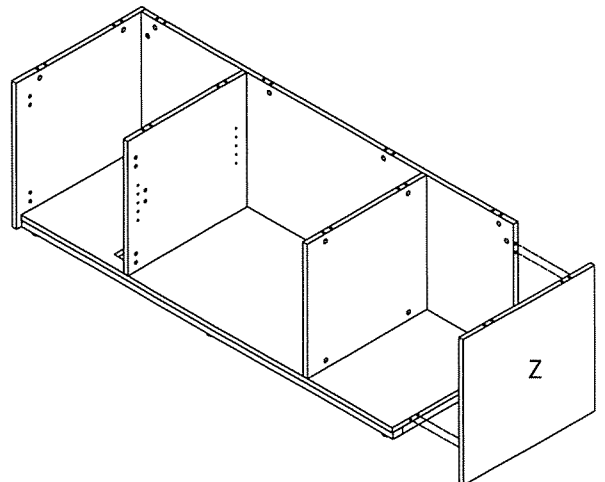
## Step2



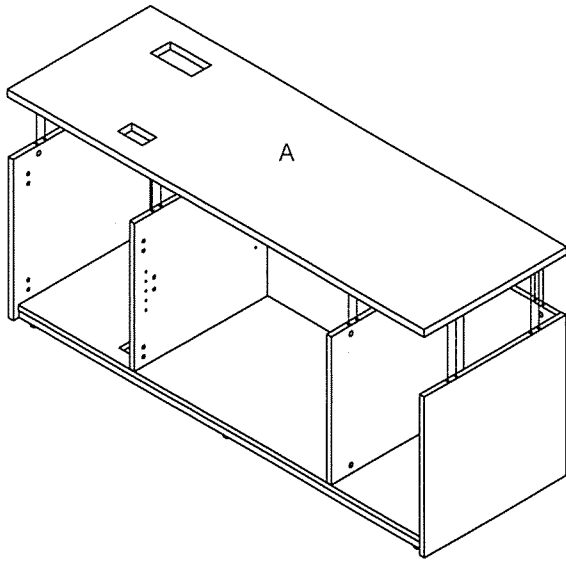
## Step3



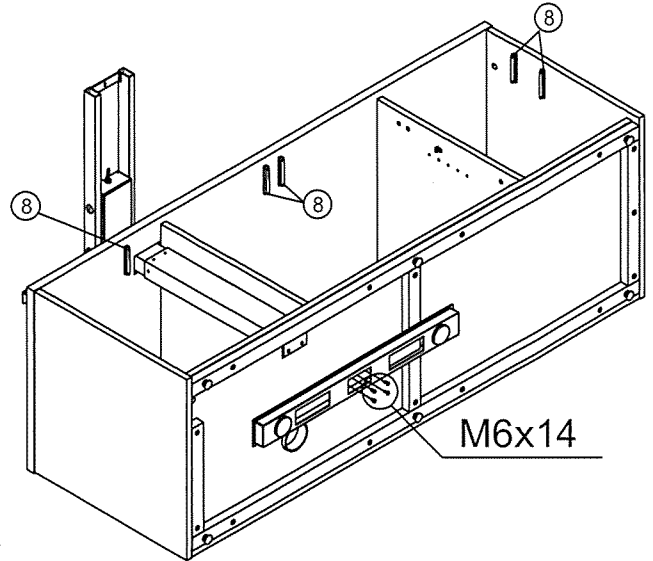
## Step4



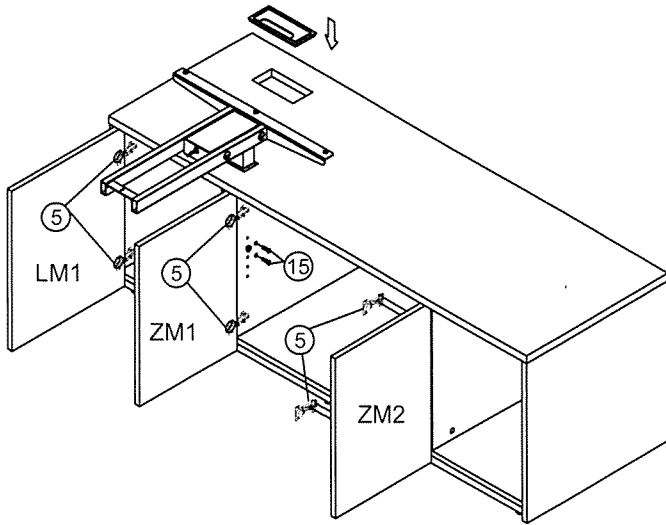
Step5



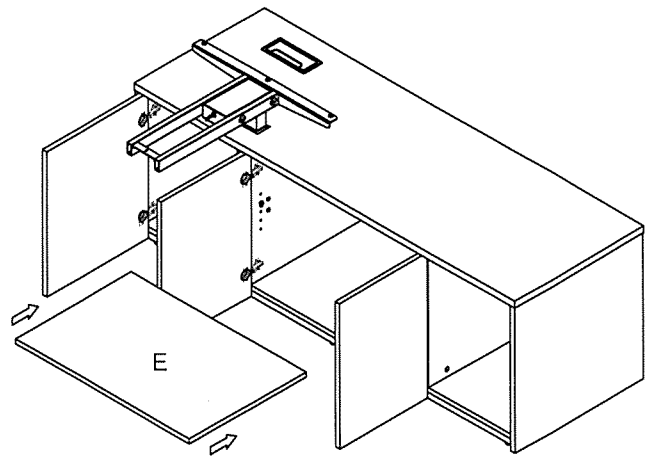
Step6



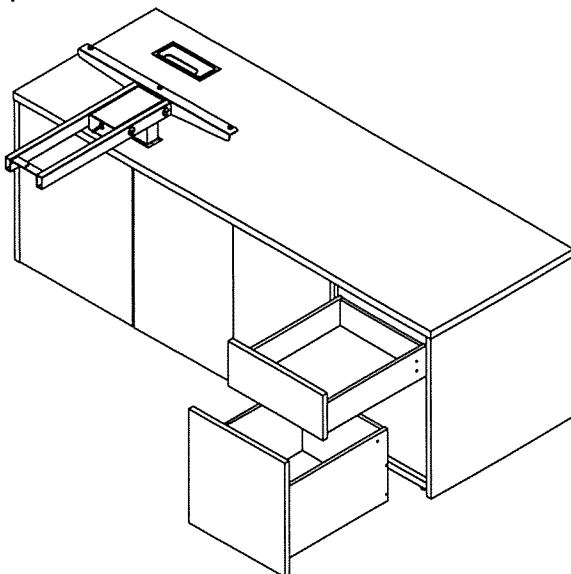
Step7



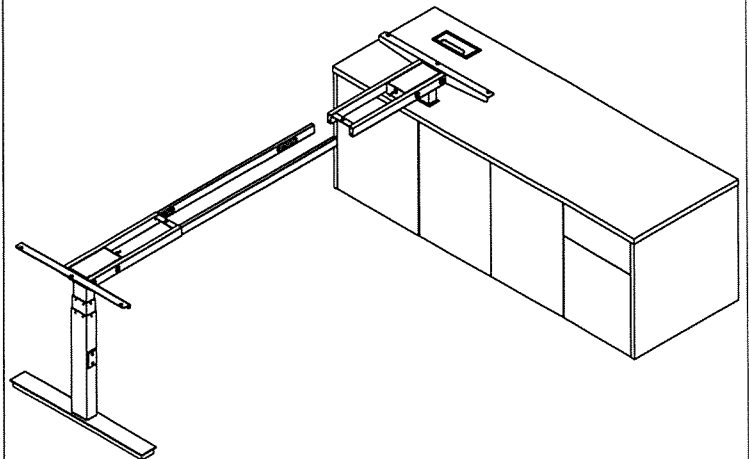
Step8



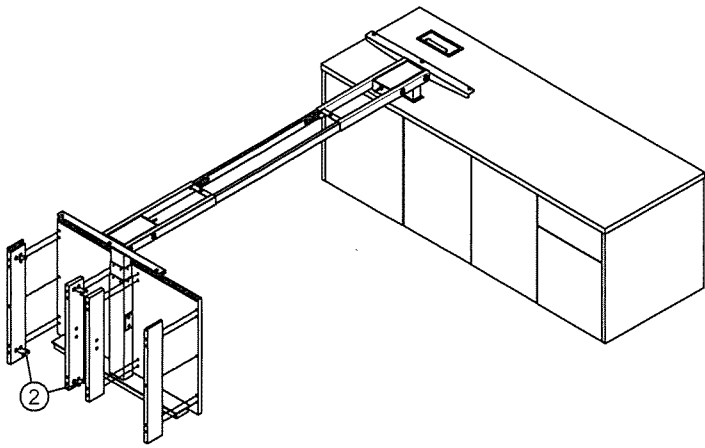
Step9



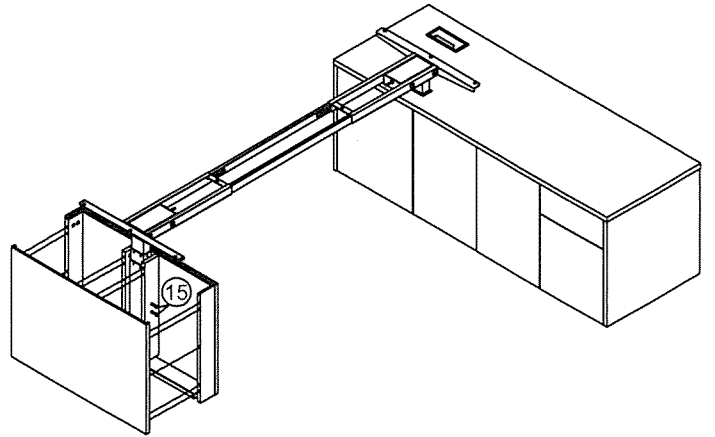
Step10



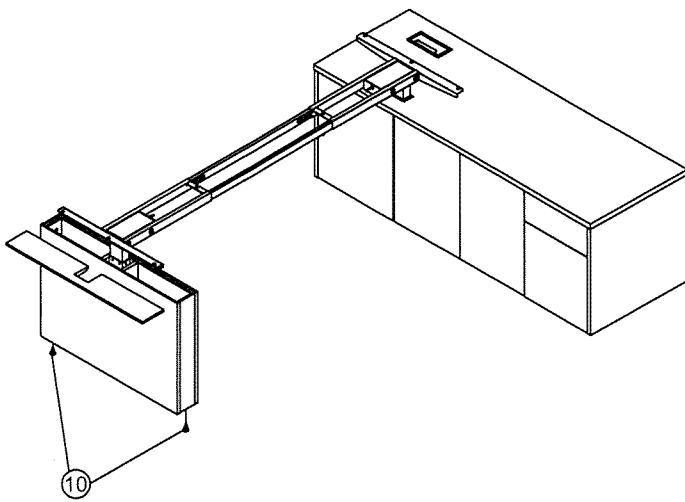
Step11



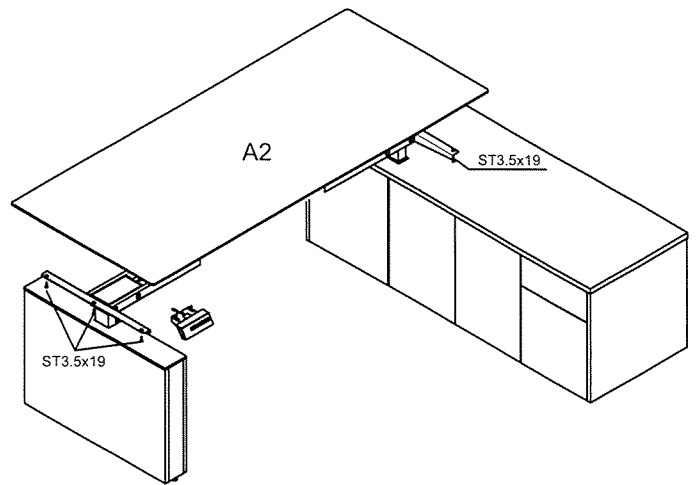
Step12



Step13



Step14



Step15

