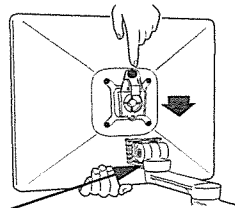


Monitor Arm Quick Reference Guide.

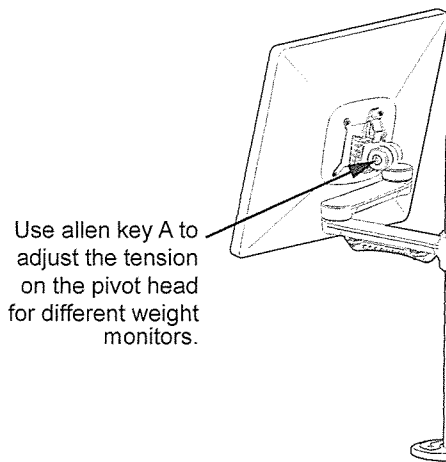
Please leave this guide with the monitor arm for setup and adjustment instruction.

Installing the Monitor

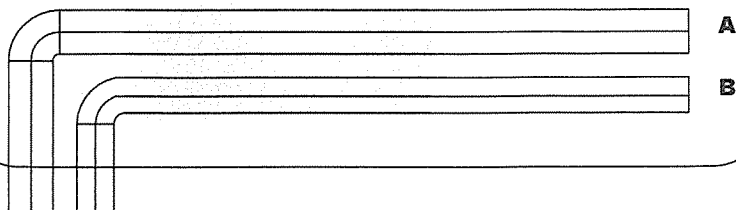
features a quick release mounting system for easy screen installation and removal.

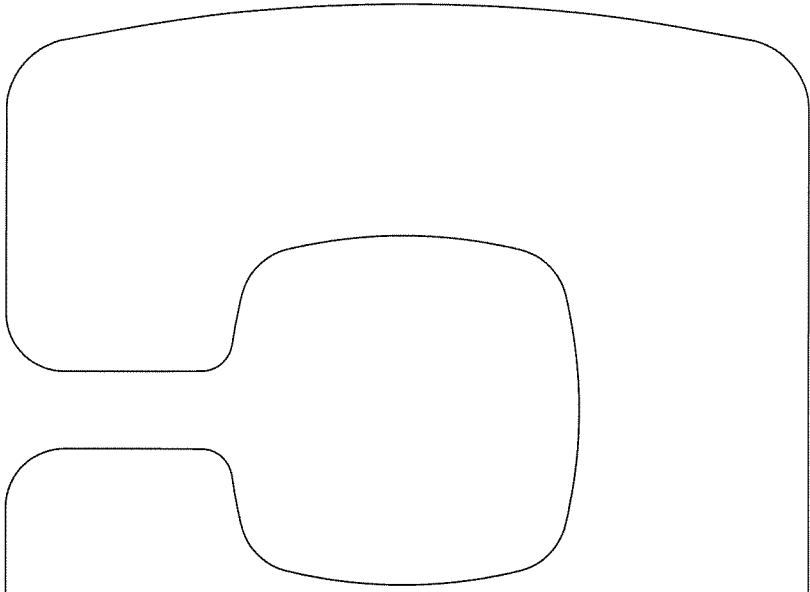


To secure the screen to the arm use allen key B to tighten the grub screw under the pivot head.

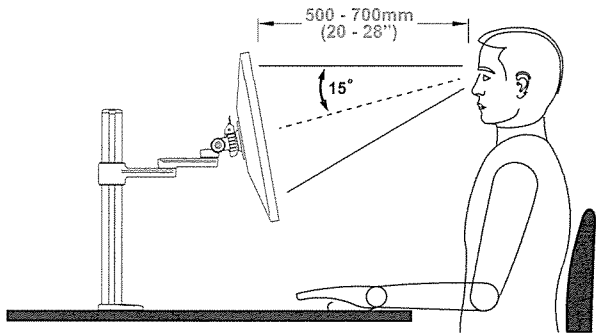


Use allen key A to secure or remove the post cap.



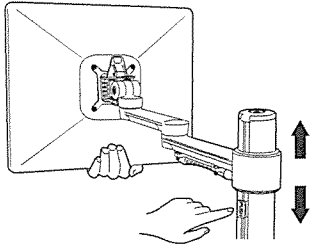


Ergonomic Setup



Height Adjustment

To adjust the monitor height, support the weight of the monitor with one hand. With the other hand squeeze the button marked "PUSH" then raise or lower using both hands.



Pan and Tilt Adjustment

can be adjusted in almost every direction and features:

- over 110° tilt adjustment
- over 180° pan adjustment
- portrait to landscape screen orientation.

