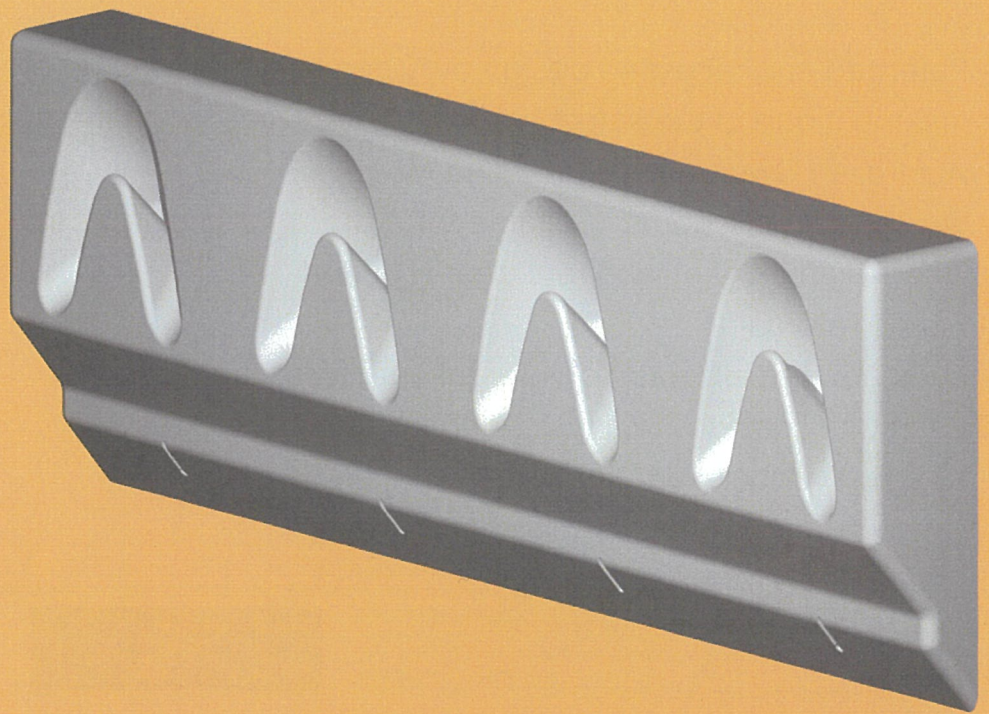
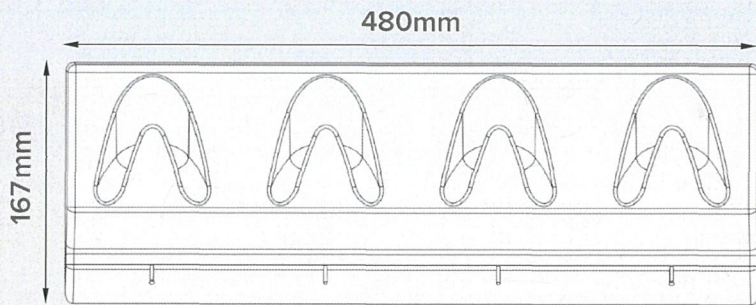


WALL HOOK SYSTEM





4 HOOK SYSTEM

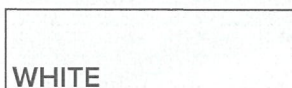
PRODUCT INFORMATION



FEATURES

- Patented and recessed design provides easy use with no protruding hooks, making it one of the safest hook systems available on the market.
- Australian Owned, Designed and Made
- Designed for Schools - Suitable for all heavy traffic areas that require safe hooks with a high level of wear and tear required.
- Flame retardant
- UV stabilised allowing for internal or external application
- Each unit comes with a wall fixing kit and instructions
- 10 year product warranty

STOCK COLOURS



CODE	DESCRIPTION	DIMENSIONS (mm)
	4 Hook System	167H x 480W x 45D