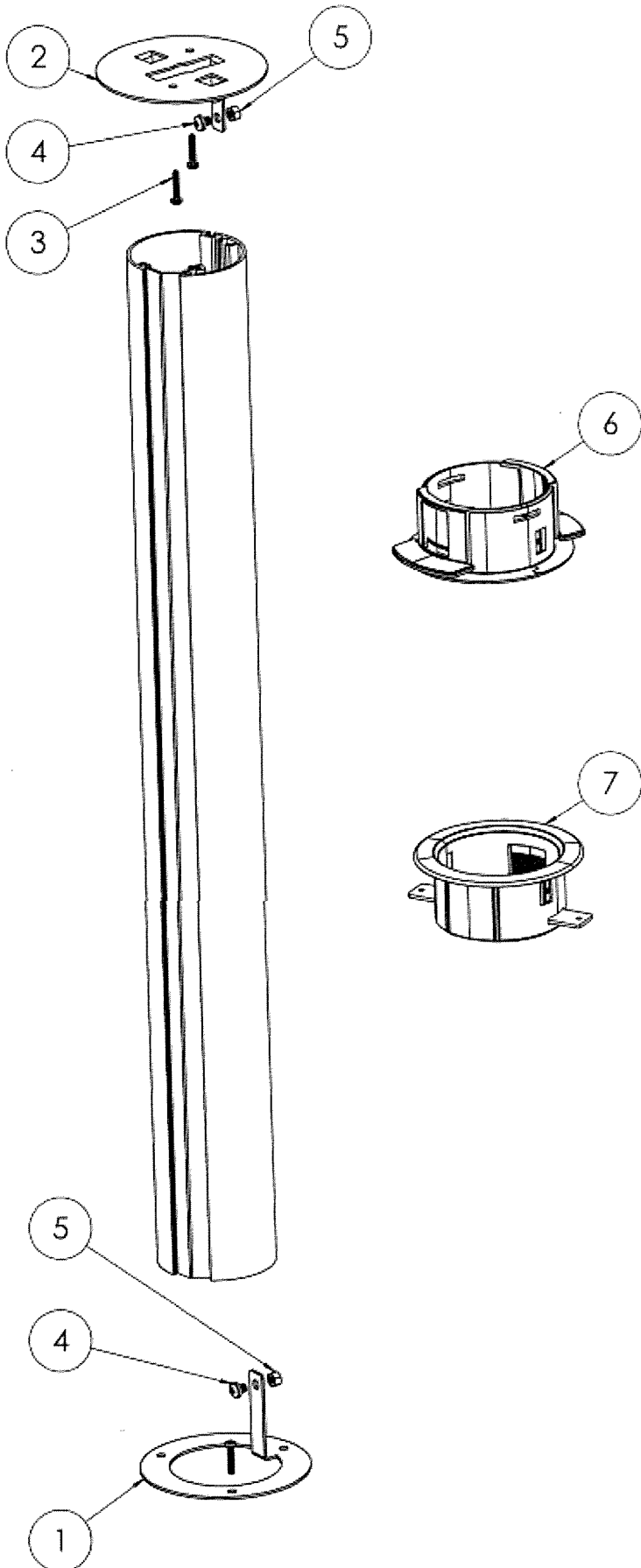


Installation Instructions



CEILING THROUGH DESK

CUT HOLE INTO CEILING TILE AND FIX GROMMET 6

CUT HOLE INTO DESK AND FIX GROMMET 7

FIX BRACKET 1 TO POWER POLE WITH SCREW 4
AND HEX BOLT 5

SLIDE POWER POLE INTO CEILING GROMMET 6

SLIDE POWER POLE THROUGH IN-DESK GROMMET