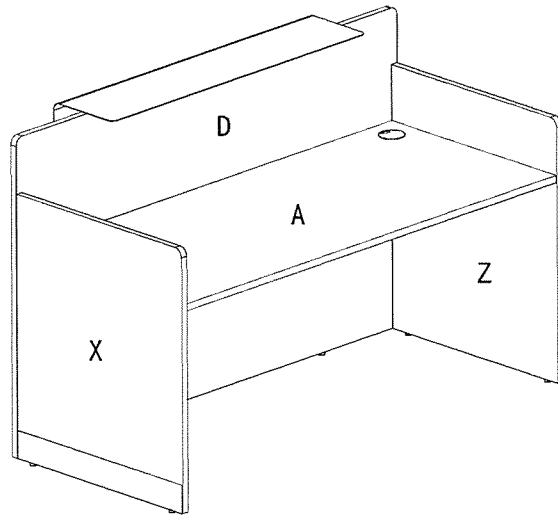
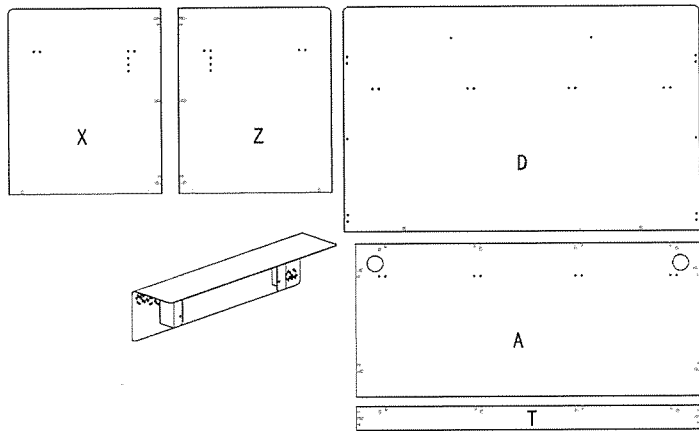


# Assembly Instructions

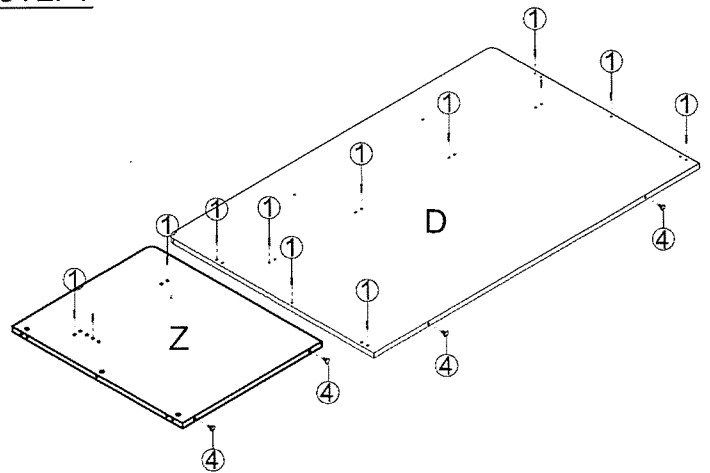


pin	6x35
	1
	20PCS
Cam	
	2
	20PCS
Cam Cover	
	3
	20PCS
ADJ FEET	φ24×12R
	4
	6PCS
The wheel	6x35
	5
	2PCS

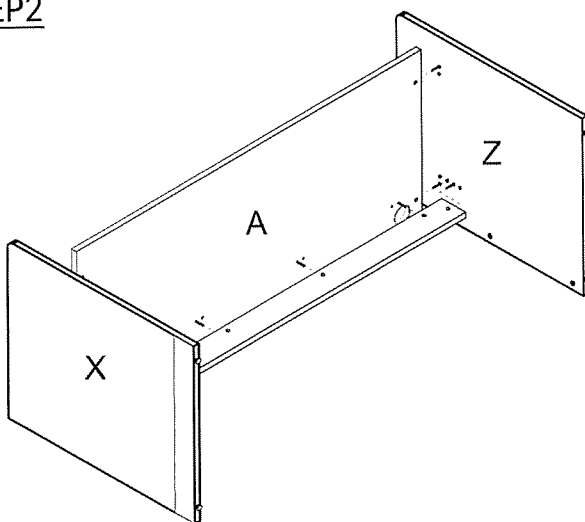
A



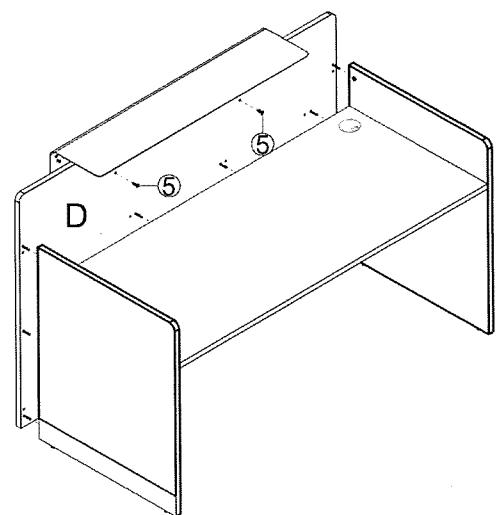
## STEP1



## STEP2



## STEP3



### IMPORTANT NOTE:

- Place all laminated parts on a clean and smooth surface such as a rug or carpet to avoid the parts from being scratched.
- Check to be sure that you have all parts and hardware.
- Remove all wrapping materials, including staples & packing straps before you start to assemble.
- Don't tighten all screws/bolts until all completely assembled.
- Keep all hardware parts out of reach of children

