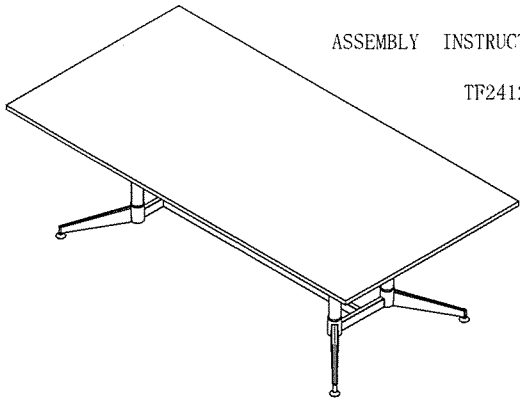


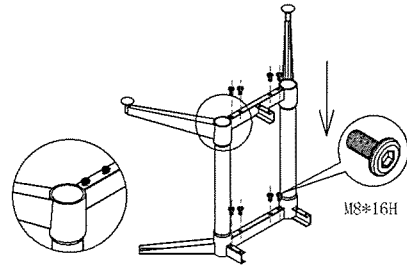
# ASSEMBLY INSTRUCTIONS

TF2412



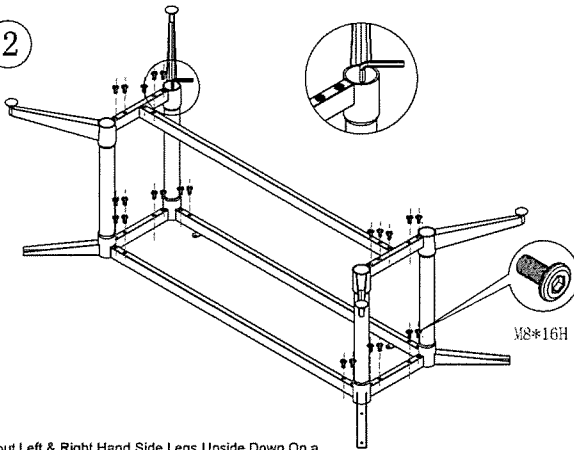
	M8*16H 16pcs
	5*20H 12pcs
	M12 1pcs
	M5 1pcs
	M6 1pcs
	ø16 1pcs

1



Slide Both The Bottom And Top Cross Bar Into The Left & Right Hand Side End Uprights - Attach Cross Bars With M8 Bolts ( Do Not Completely Tighten Bolts )

2



Layout Left & Right Hand Side Legs Upside Down On a Flat Surface. Slide Central Support Beams Into Legs - Attach Support Beams With M8 Bolts ( Do Not Completely Tighten Bolts ) . Once The Frame Is Sitting Flush On the Flat Surface, Tighten All Bolts Completely.

3

