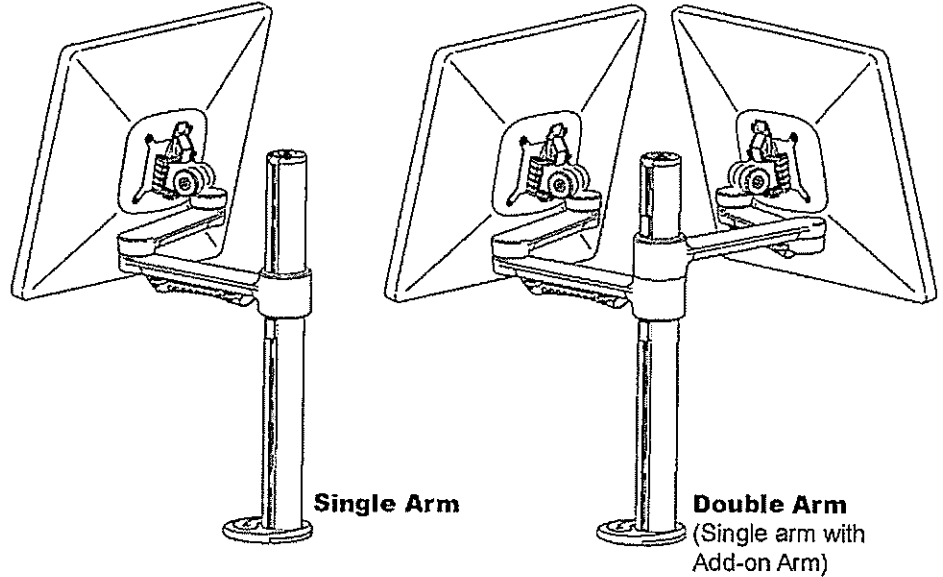
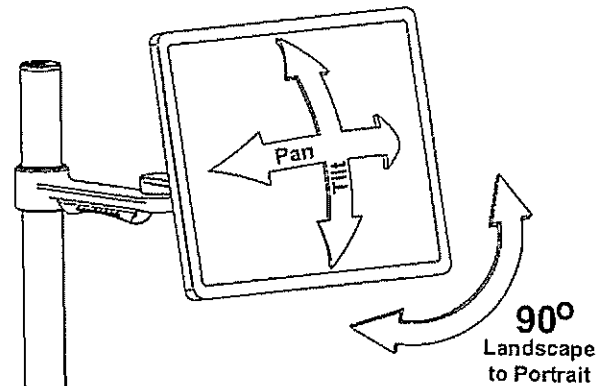


# Monitor arm

## Technical Specifications.

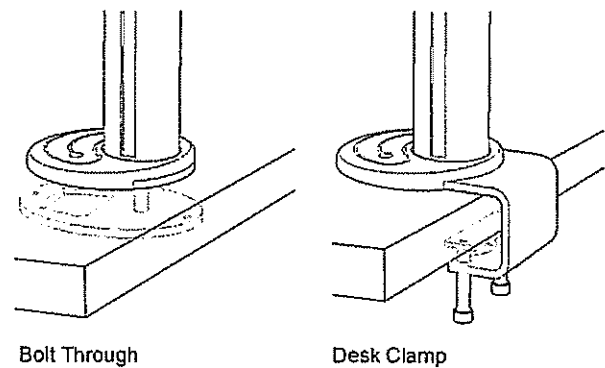


### Tilt & Pan - 110 Deg Tilt & 180 Deg Pan Adjustment



### Mounting Options

- Both are provided



The **Monitor Arm** is made to the highest quality standards and combines a range of innovative features:

- Easy and safe push-button monitor position adjustment from a seated position
- Quick release with 90 degree portrait to landscape screen rotation and secure fastening option
- Discreet, effective cable management that allows for easy monitor adjustment
- Bolt through or desk clamp mounting included in the box
- Elegant, simple design appeal with 3 colour options to suit your work environment

**Specifications**

Weight Capacity	8kg (17 lbs) per Arm
Height Adjustment	Single Arm 230mm Double Arm 250mm
Tilt / Pan Adjustment	110 deg / 180 deg
Monitor Mounting	All VESA compliant monitors (75 or 100mm square)
Worktop Thickness	Bolt Through 16 - 33mm Desk Clamp 18 - 33mm

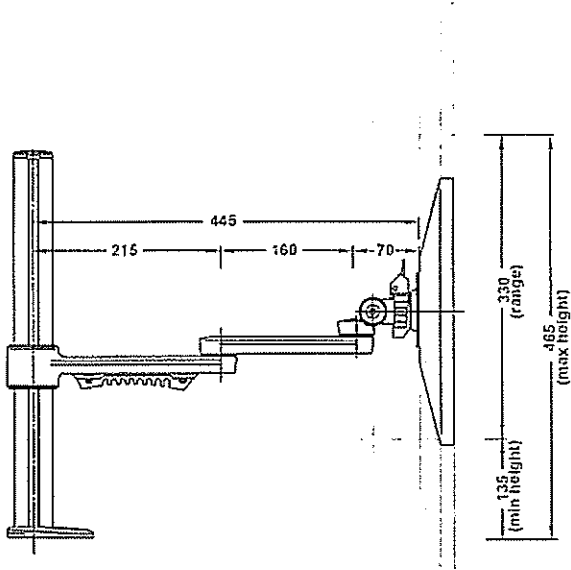
**Colours and Finishes**

- Polished - Polished Arms, Silver Post, Black Detailing
- White - Gloss White Arms, Silver Post, White Detailing
- Black - Matte Black Arms, Black Post, Black Detailing

**Warranty**

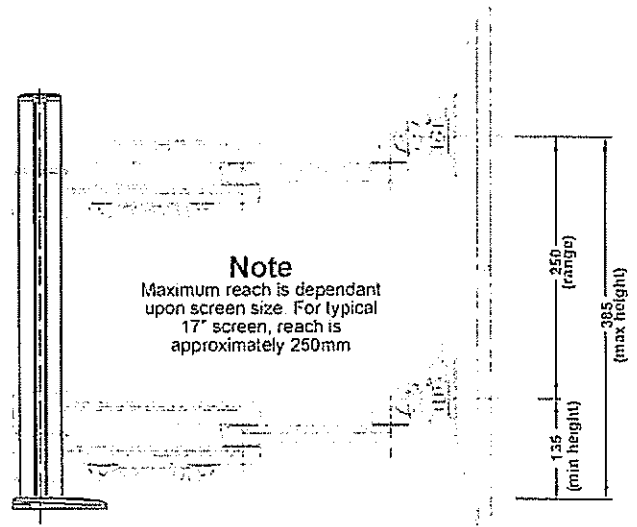
7 Year limited warranty

### Single Arm - Side View



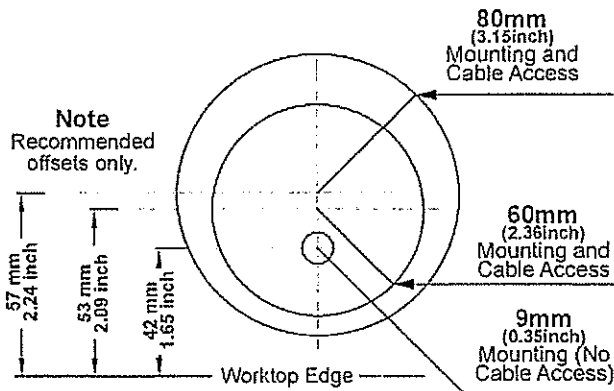
### Double Arm - Side View

- Add-on-Arm allows for screens to be mounted at the same height or independently adjusted

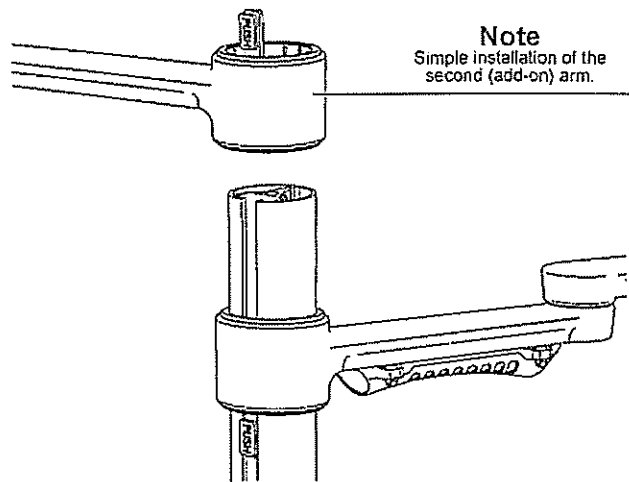


### Worktop Cut Outs - Recommended Hole Offsets

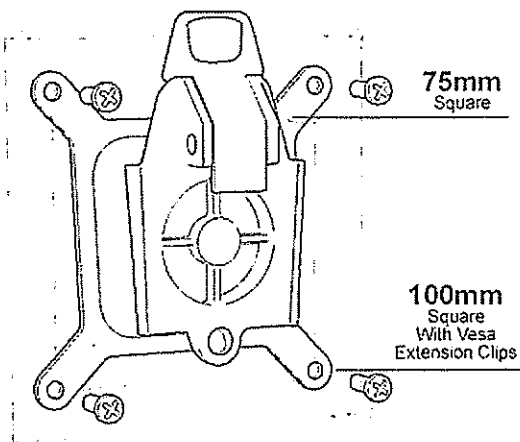
- Choose 1 of 3 cutout sizes, (Worktop offsets are only recommendations)



### Add-on-Arm - Installation

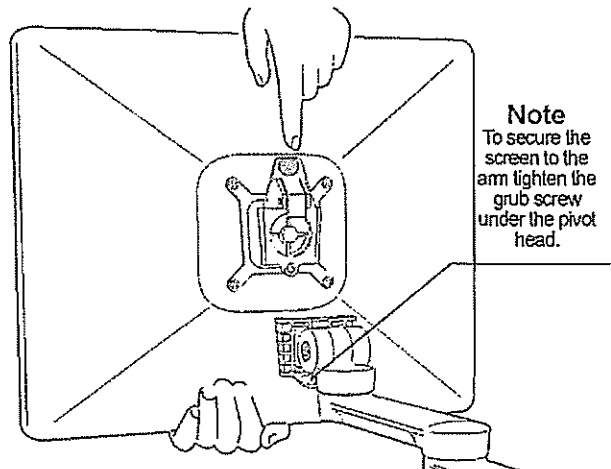


### VESA Mounting



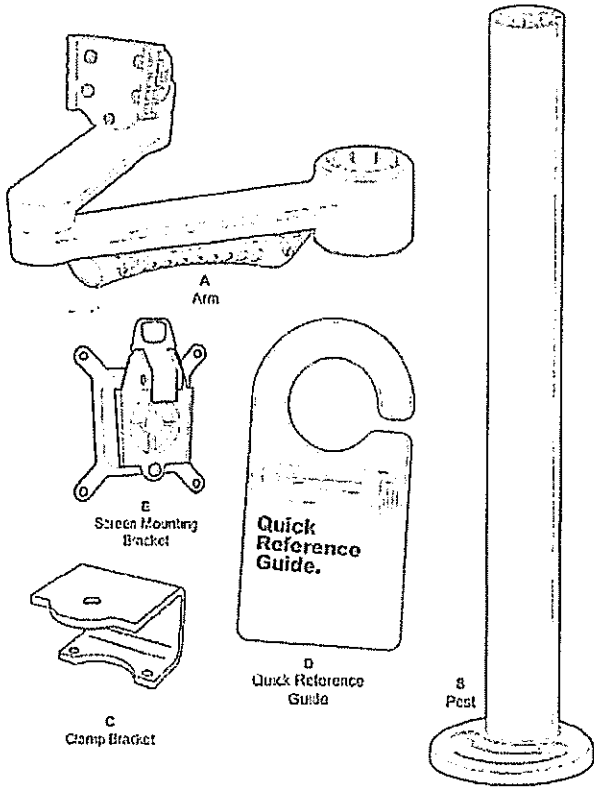
### Quick Release Mounting - Safe and Simple

- Grub Screw for security locking

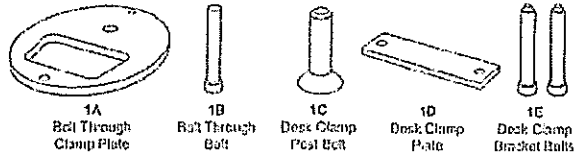


# Monitor arm Installation Instructions.

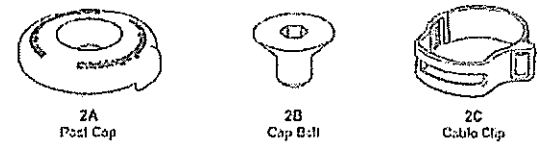
**COMPONENT CHECKLIST** - Please ensure that all parts have been received against the enclosed list below. **TOOLS REQUIRED** - Philips head screw driver, (Power Drill, Screw (0.75") 60mm (2.75") 80mm (3.15") hole saw, 1/4" bolt through



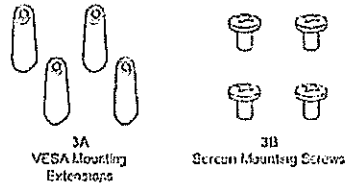
## Blister Pack 1 - Mounting Components.



## Blister Pack 2 - Post Components.

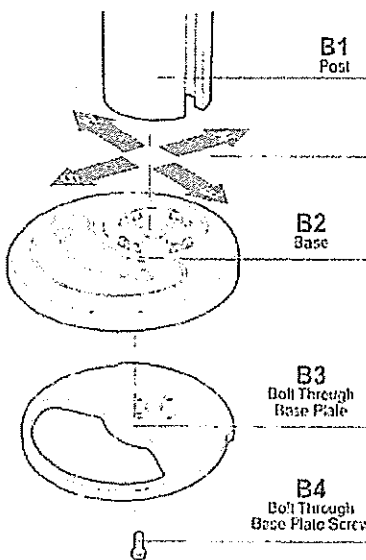


## Blister Pack 3 - Screen Mounting Components.



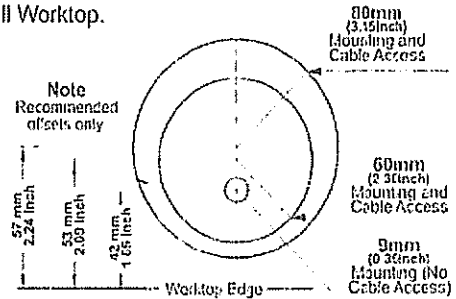
## Step 1 - Bolt Through Mounting - For Desk Clamp Mounting see over

### A - Post to Base Orientation.

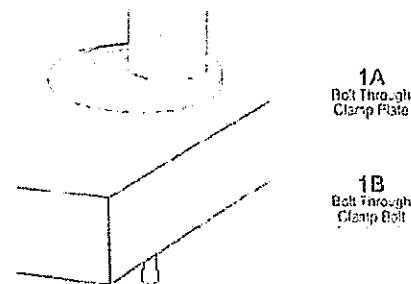


**Note**  
Open slot in post determines position of the height adjustment button - refer to step 2 over  
(To change the orientation remove screw and re position post in the location lugs N/S/E/W.)

### B - Drill Worktop.

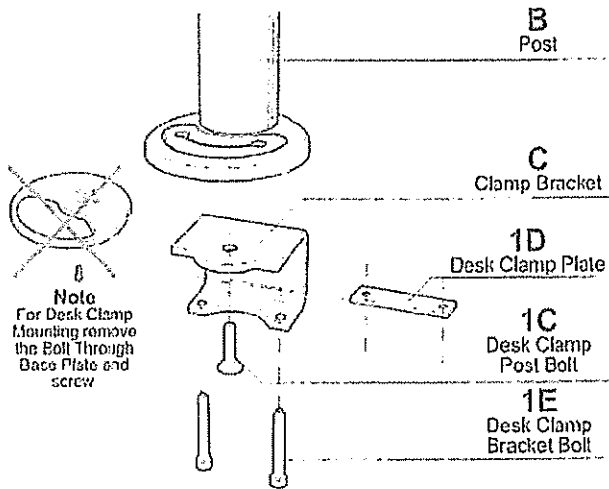


### C - Bolting Through Worktop.

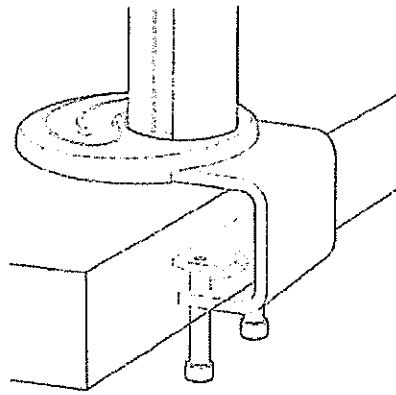


## Step 1 - Desk Clamp Mounting

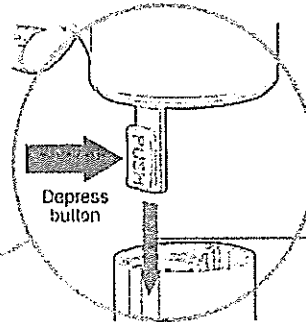
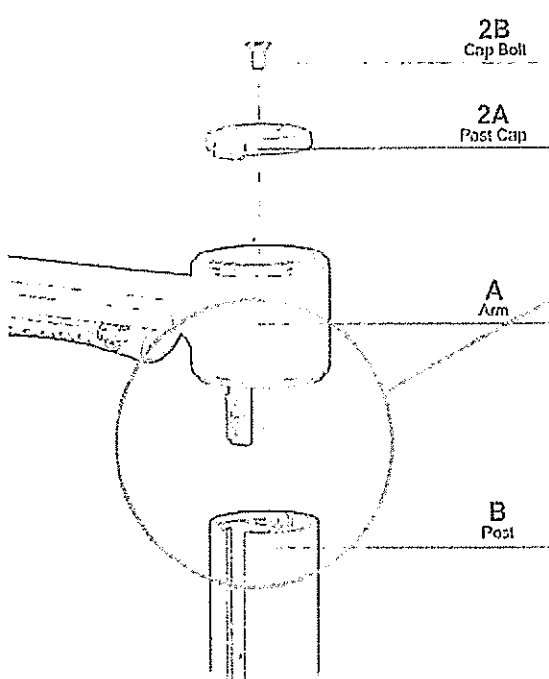
### A - Assemble Desk Clamp.



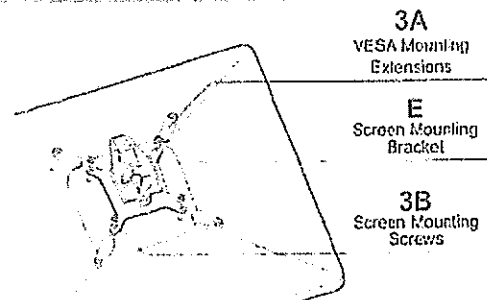
### B - Secure Desk Clamp.



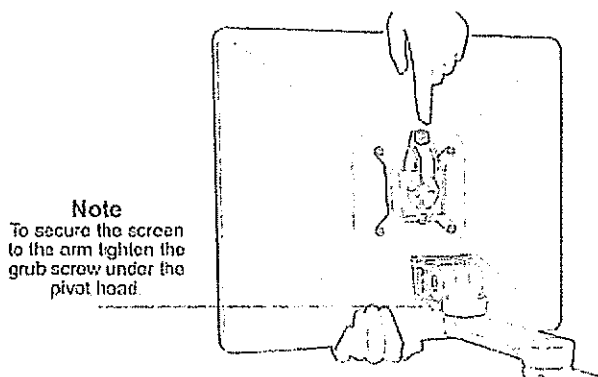
## 2 - Attaching Post Components.



## 3 - Mounting the Display.



## 4 - Installing the monitor



## 5 - Cable Management.

