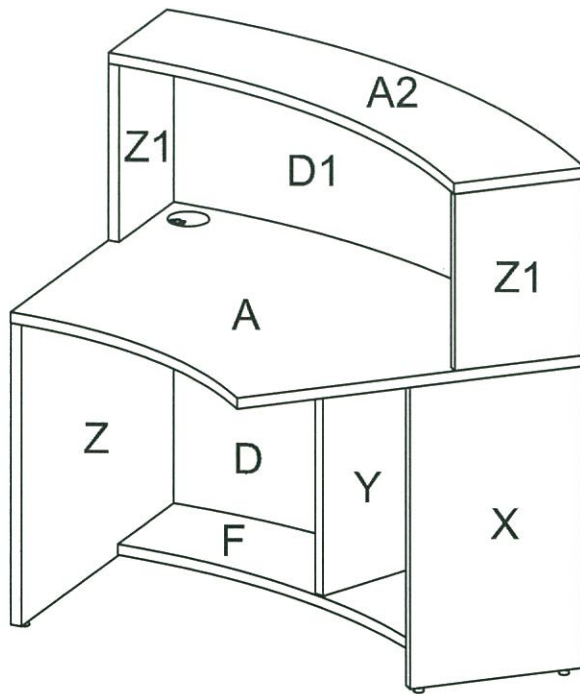
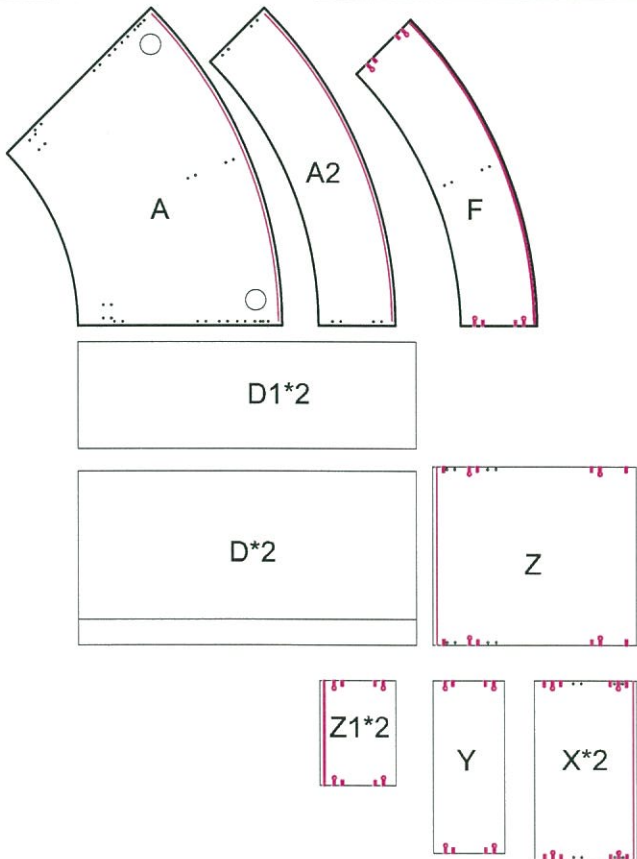


Assembly Instructions

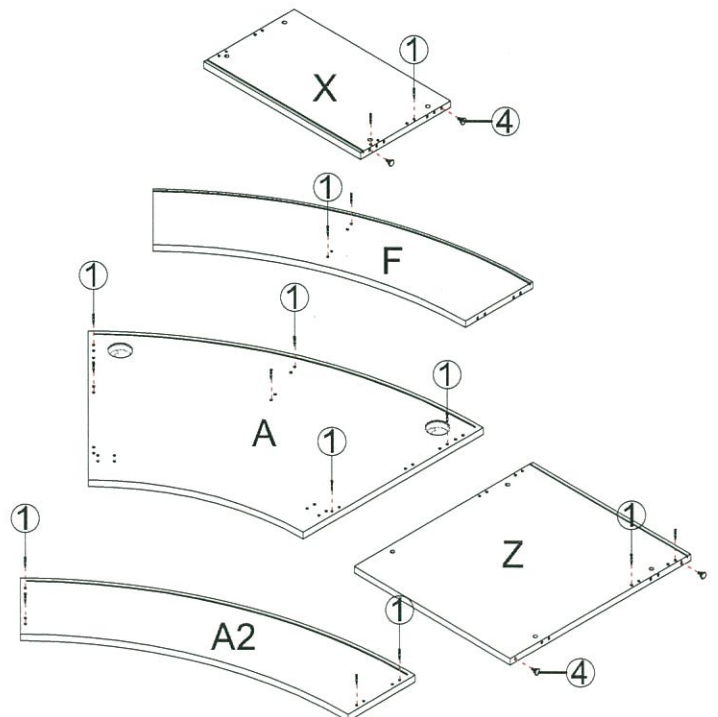


pin 6×35	1	20PCS
CAM	2	22PCS
Cam Cover	3	28PCS
ADJ.FEET #24×12H	4	4PCS
CONNECTOR 200×90	5	1PCS
Screw 6×12	6	8PCS
The back bracket	7	12PCS

AU



STEP 1

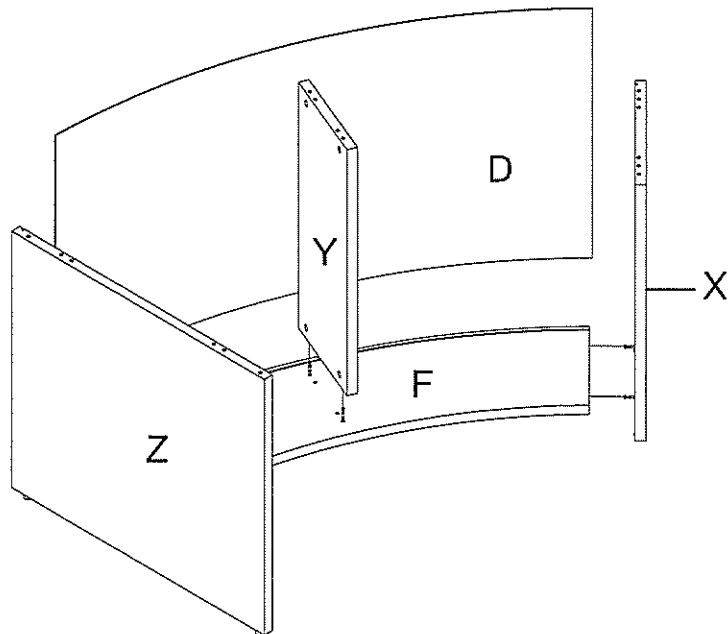


IMPORTANT NOTE:

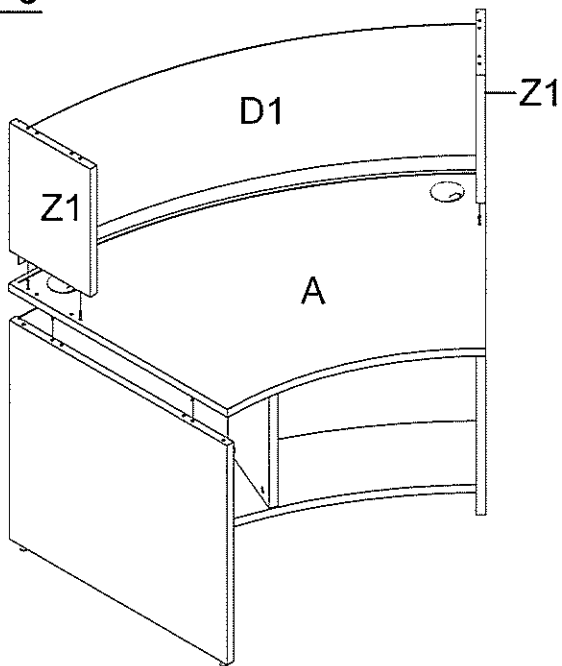
- Place all laminated parts on a clean and smooth surface such as a rug or carpet to avoid the parts from being scratched.
- Check to be sure that you have all parts and hardware.
- Remove all wrapping materials, including staples & packing straps before you start to assemble.
- Don't tighten all screws/bolts until all completely assembled.
- Keep all hardware parts out of reach of children



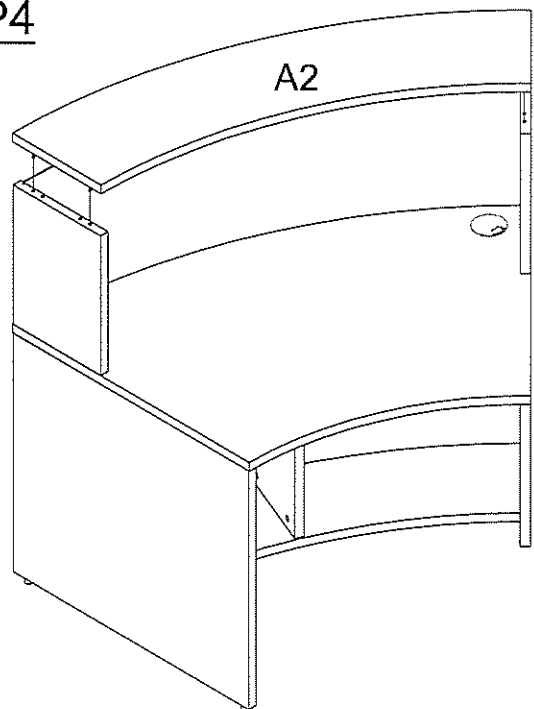
STEP 2



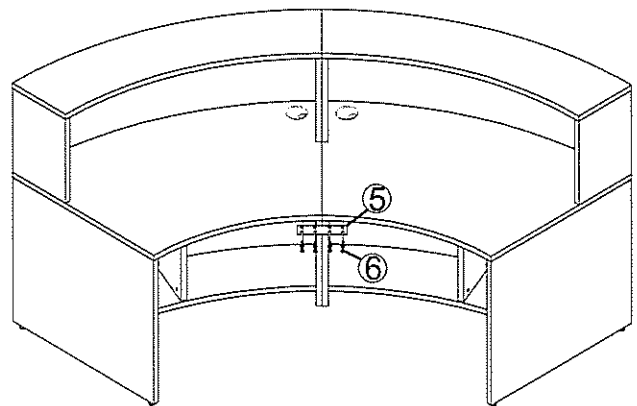
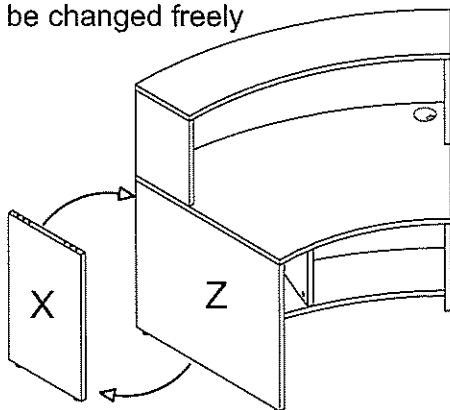
STEP 3



STEP 4



X and Z can be changed freely

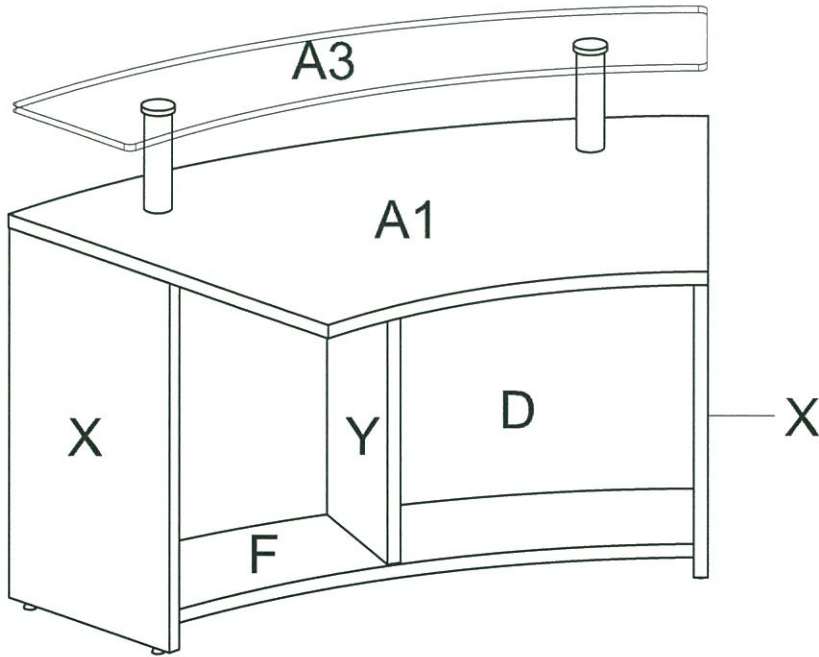


IMPORTANT NOTE:

- Place all laminated parts on a clean and smooth surface such as a rug or carpet to avoid the parts from being scratched.
- Check to be sure that you have all parts and hardware.
- Remove all wrapping materials, including staples & packing straps before you start to assemble.
- Don't tighten all screws/bolts until all completely assembled.
- Keep all hardware parts out of reach of children



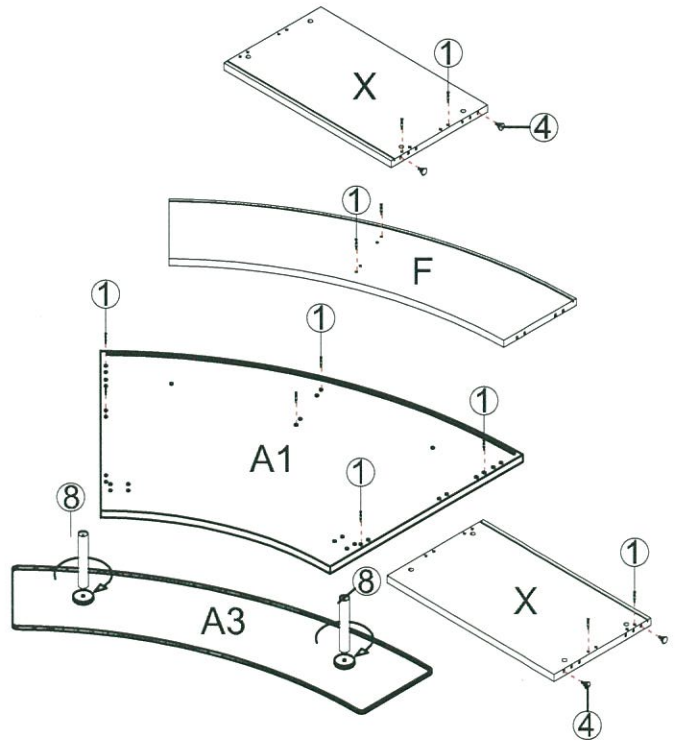
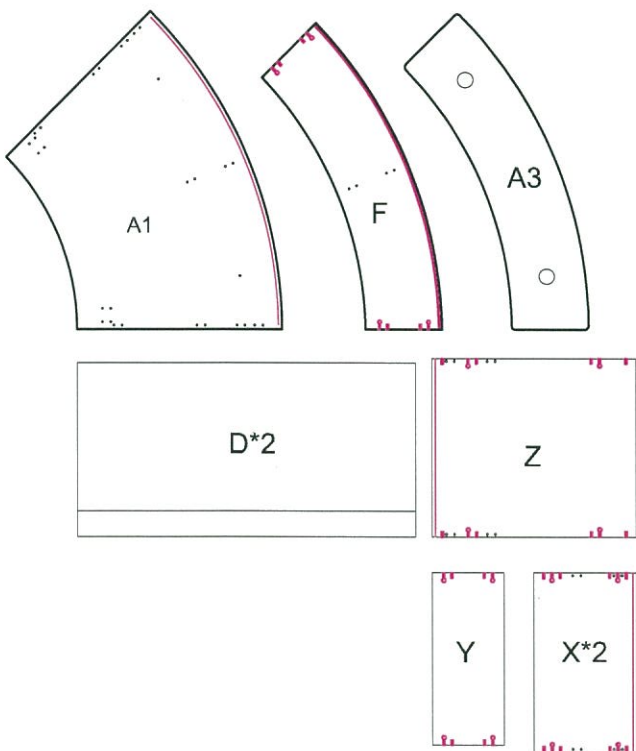
Assembly Instructions



AU

pin #6x35	1	12PCS
CAM	2	14PCS
Cam Cover	3	20PCS
ADJ.FEET #24x12H	4	4PCS
CONNECTOR 200x60	5	1PCS
Screw #6x12	6	8PCS
The back bracket	7	8PCS
glass top support #50x193H	8	2PCS

STEP1

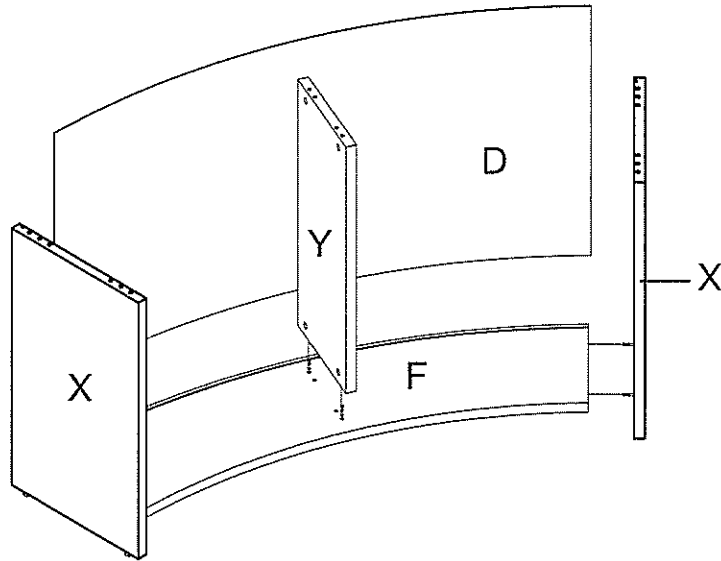


IMPORTANT NOTE:

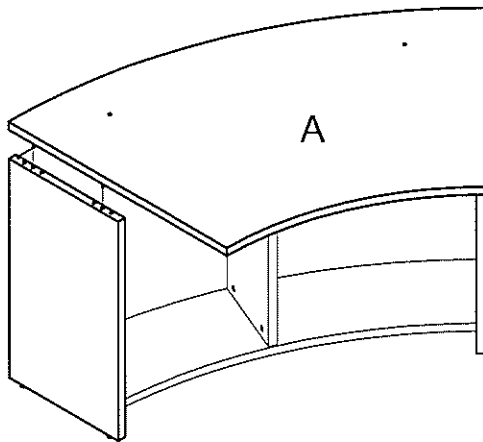
- Place all laminated parts on a clean and smooth surface such as a rug or carpet to avoid the parts from being scratched.
- Check to be sure that you have all parts and hardware.
- Remove all wrapping materials, including staples & packing straps before you start to assemble.
- Don't tighten all screws/bolts until all completely assembled.
- Keep all hardware parts out of reach of children



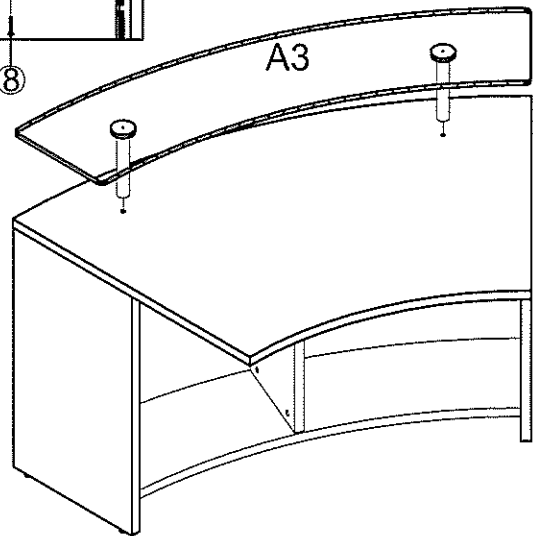
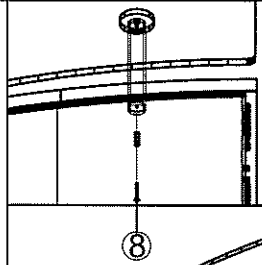
STEP2



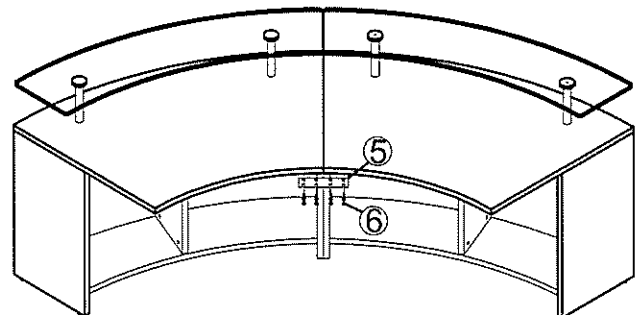
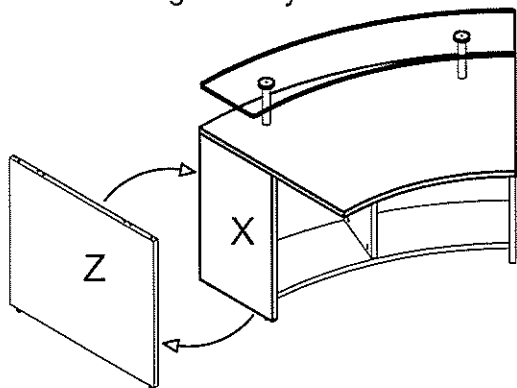
STEP3



STEP4



X and Z can be changed freely



IMPORTANT NOTE:

- Place all laminated parts on a clean and smooth surface such as a rug or carpet to avoid the parts from being scratched.
- Check to be sure that you have all parts and hardware.
- Remove all wrapping materials, including staples & packing straps before you start to assemble.
- Don't tighten all screws/bolts until all completely assembled.
- Keep all hardware parts out of reach of children

