
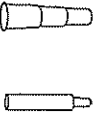
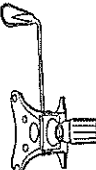









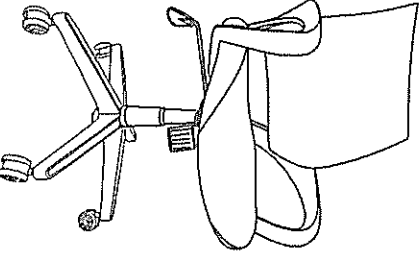


Assembling Instruction

(1)Base&Castor	(2)Gas lift	(3)Mechanism
		
(4)Arm	(5)Seat	(6)Back
 x2		
(7)		
1.  4pcs M6*20mm for Mechanism		
2.  x25mm for Back of Armrest		
3.  4pcs M6x30mm for Seat of Armrest		
4.  8pos Washer for Mechanism & Seat of Armrest		
5.  4pcs Cores for Arm Screw		
6.  1pc Hexangular key		
		

A	B	C
