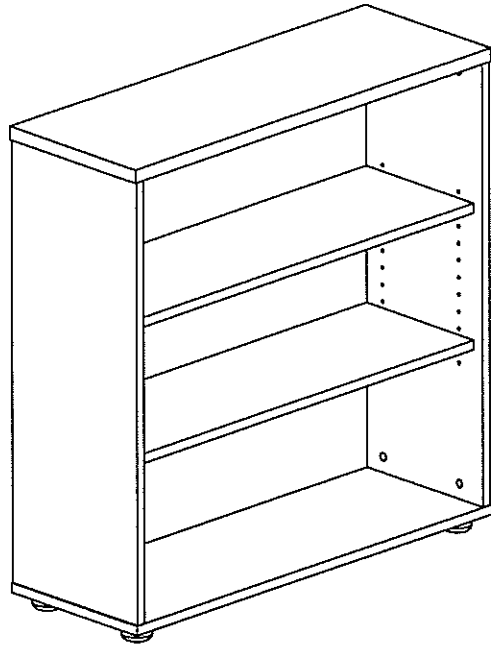
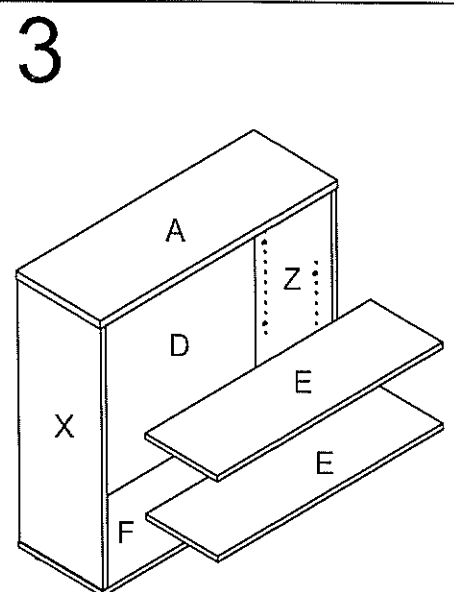
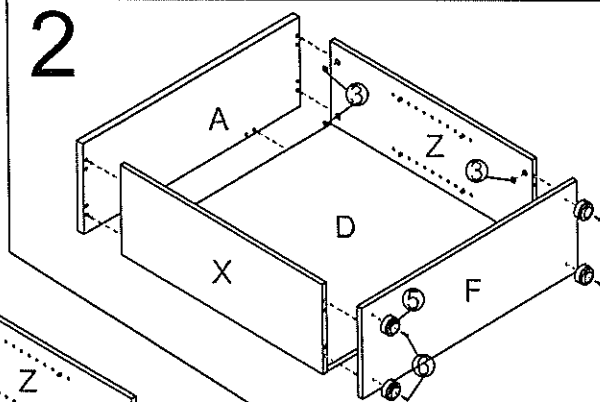
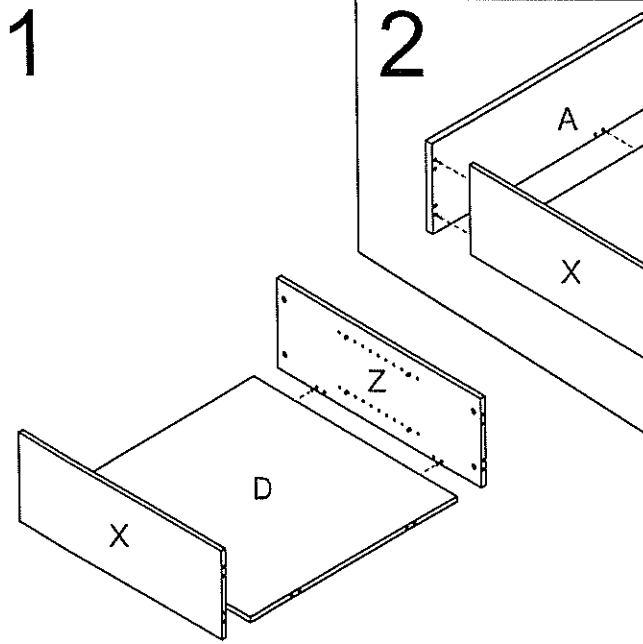
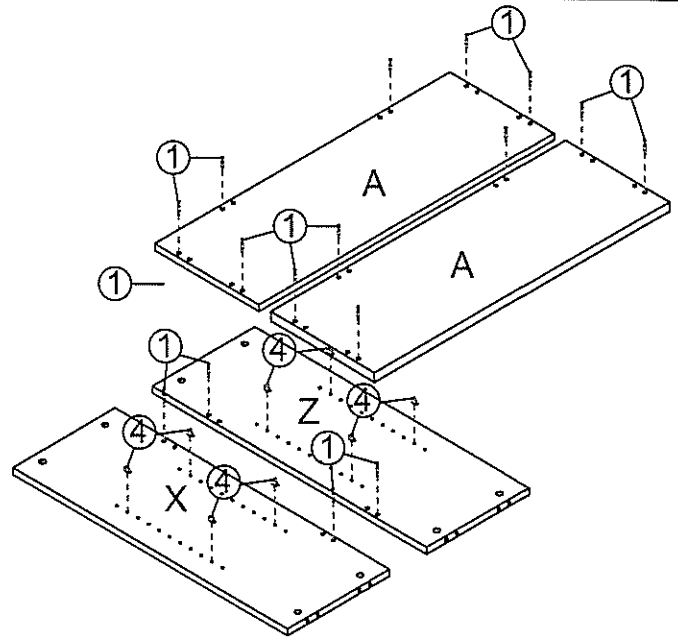
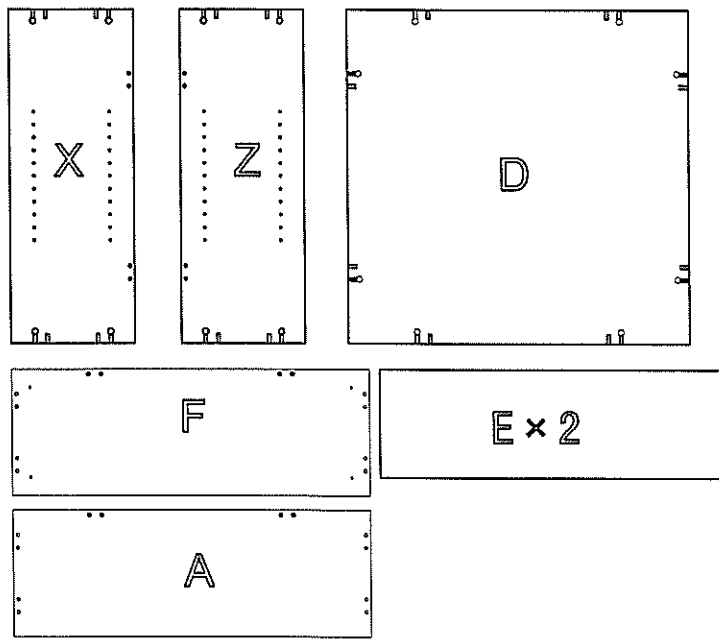


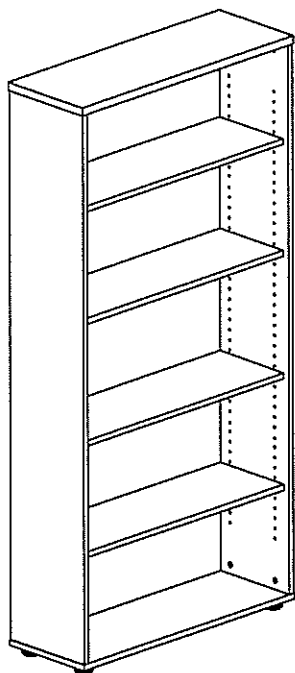
ASSEMBLY INSTRUCTIONS



pin	6x36	
1		10PCS
CAM		
2		10PCS
Cam Cover		
3		10PCS
Bot. Mtrk.		
4		8PCS
CURNOA	25x40x62	
5		4PCS
Screw	4x30	
6		4PCS



ASSEMBLY INSTRUCTIONS



pin 6x36	1
	20PCS
CLM	2
	20PCS
Cam Cover	3
	20PCS
BCI LINDIC	4
	16PCS
CURRHOA 25Hxφ62	5
	4PCS
Roww	6
	4PCS

