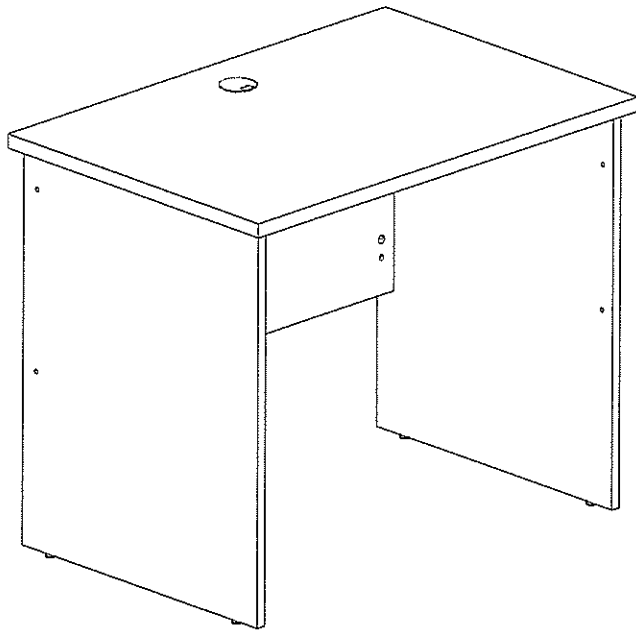


# ASSEMBLY INSTRUCTIONS



pin	6x35
1	10PCS
CAM	
2	10PCS
Cam Cover	
3	10PCS
CAM	
4	4PCS
Screw	6x50
5	4PCS

