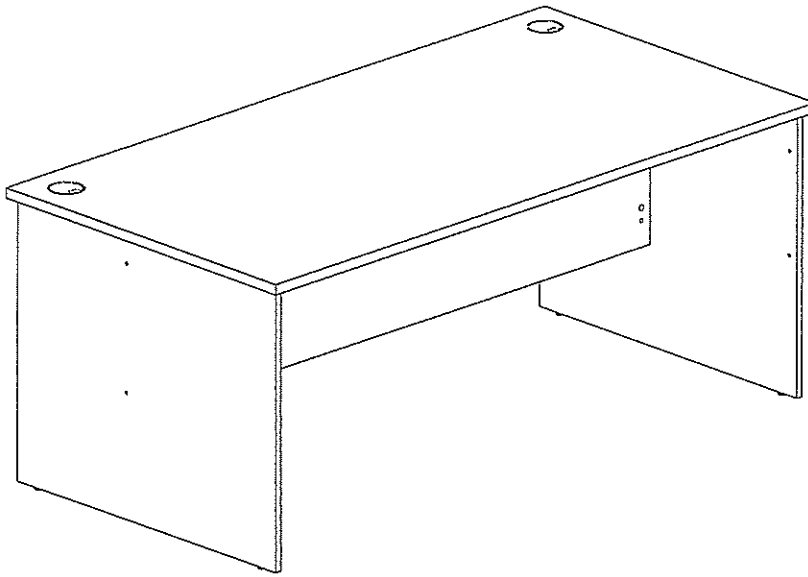







ASSEMBLY INSTRUCTIONS



pin	8x35
	1
	10PCS
CAM	
	2
	10PCS
Cam Cover	
	3
	10PCS
CAM	
	4
	4PCS
Screw	6X50
	5
	4PCS
